

## STYLE BX

The Style BX energized Ring Type Joints, manufactured in accordance with API 6A, are designed for use on pressurized systems up to 20,000 psi.

When correctly fitted, the style BX gasket allows virtual face to face contact of the flange faces which means that the gasket is fully trapped on both the inner and outer diameters.

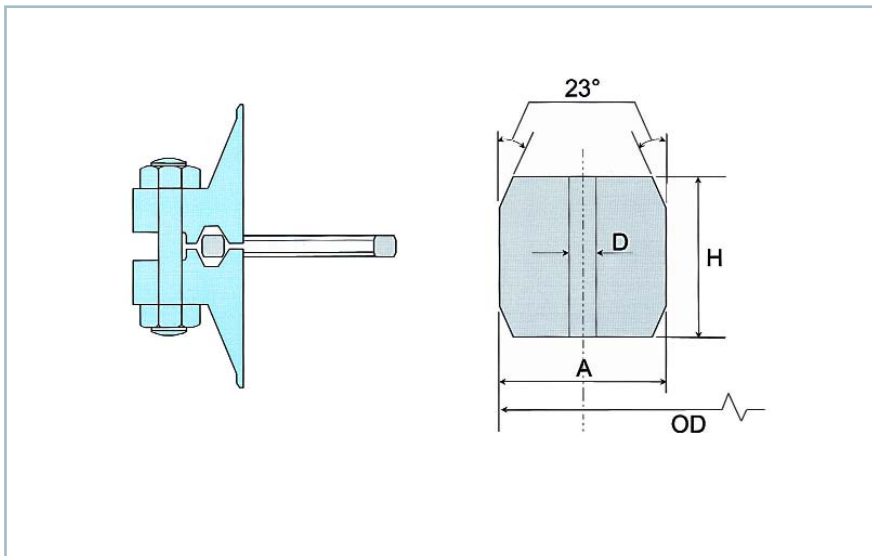
All BX gaskets incorporate a pressure balance hole to ensure equalization of pressure which may be trapped in the grooves.

Designs are also available for Subsea applications.



Style BX

### DIMENSIONAL DATA – STYLE BX



### TOLERANCES: (INCHES)

A* (width of ring)	+0.008,-0.000
D (hole size)	± 0.02
H* (height of ring)	+0.008,-0.000
OD (od of ring)	+0.000,-0.005
23° (angle)	± 1/4°

One pressure passage hole required per ring on center line \*A plus tolerance of 0.008 inches for width 'A' and height 'H' is permitted, provided the variation in width or height does not exceed 0.004 inches throughout its entire circumference.

#### NOTE 1:

Radius of the ring shall be 8% to 12% of the ring height 'H'.

## STYLE BX

Dimensions in inches

RING NO.	PRESSURE CLASS RATING (PSI)				OUTSIDE DIAMETER OF RING OD	HEIGHT OF RING H	WIDTH OF RING A	HOLE SIZE D	GASKET WEIGHT, lbs. FOR API 6BX FLANGES
	5000	10000	15000	20000					
	NOMINAL PIPE SIZE (INCHES)								
BX150	–	–	–	–	72.19	9.30	9.30	1.59	0.295
BX151	–	1 13/16	1 13/16	1 13/16	76.40	9.63	9.63	1.59	0.337
BX152	–	2 1/16	2 1/16	2 1/16	84.68	10.24	10.24	1.59	0.425
BX153	–	2 9/16	2 9/16	2 9/16	100.94	11.38	11.38	1.59	0.632
BX154	–	3 1/16	3 1/16	3 1/16	116.84	12.40	12.40	1.59	0.875
BX155	–	4 1/16	4 1/16	4 1/16	147.96	14.22	14.22	1.59	1.22
BX156	–	7 1/16	7 1/16	7 1/16	237.92	18.62	18.62	3.18	4.14
BX157	–	9	9	9	294.46	20.98	20.98	3.18	6.55
BX158	–	11	11	11	352.04	23.14	23.14	3.18	9.60
BX159	–	13 5/8	13 5/8	13 5/8	426.72	25.70	25.70	3.18	14.41
BX160	13 5/8	–	–	–	402.59	23.83	13.74	3.18	6.75
BX161	16 3/4	–	–	–	491.41	28.07	16.21	3.18	–
BX162	16 3/4	16 3/4	16 3/4	–	475.49	14.22	14.22	1.59	–
BX163	18 3/4	–	–	–	556.16	30.10	17.37	3.18	–
BX164	–	18 3/4	18 3/4	–	570.56	30.10	24.59	3.18	–
BX165	21 1/4	–	–	–	624.71	32.03	18.49	3.18	–
BX166	–	21 1/4	–	–	640.03	32.03	26.14	3.18	–
BX167*	–	–	–	–	759.36	35.87	13.11	1.59	–
BX168†	–	–	–	–	765.25	35.87	16.05	1.59	–
BX169**	–	–	–	–	173.51	15.85	12.93	1.59	–
BX170	–	–	–	–	218.03	14.22	14.22	1.59	–
BX171	–	–	–	–	267.44	14.22	14.22	1.59	–
BX172	–	–	–	–	333.07	14.22	14.22	1.59	–
BX303††	–	–	–	–	852.75	37.95	16.97	1.59	–

\* BX167 is suitable for 26 3/4 Nominal Pipe Size 2,000 psi rating.

\*\* BX169 is suitable for 5 3/4 Nominal Pipe Size 10,000 psi rating.

† BX168 is suitable for 26 3/4 Nominal Pipe Size 3,000 psi rating.

†† BX303 is suitable for 30 Nominal Pipe Size 2,000 and 3,000 psi ratings.

Designs are also available for Subsea applications.